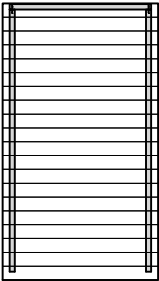
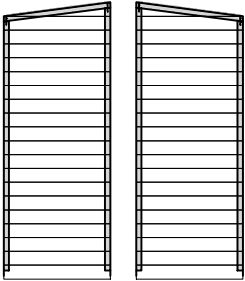
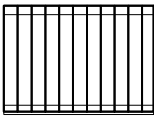
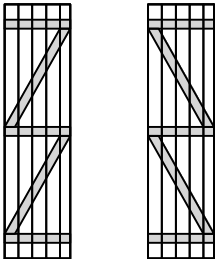
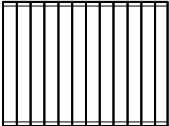







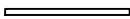






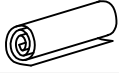

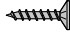
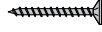
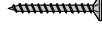



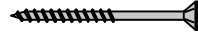
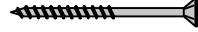
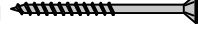

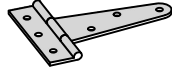


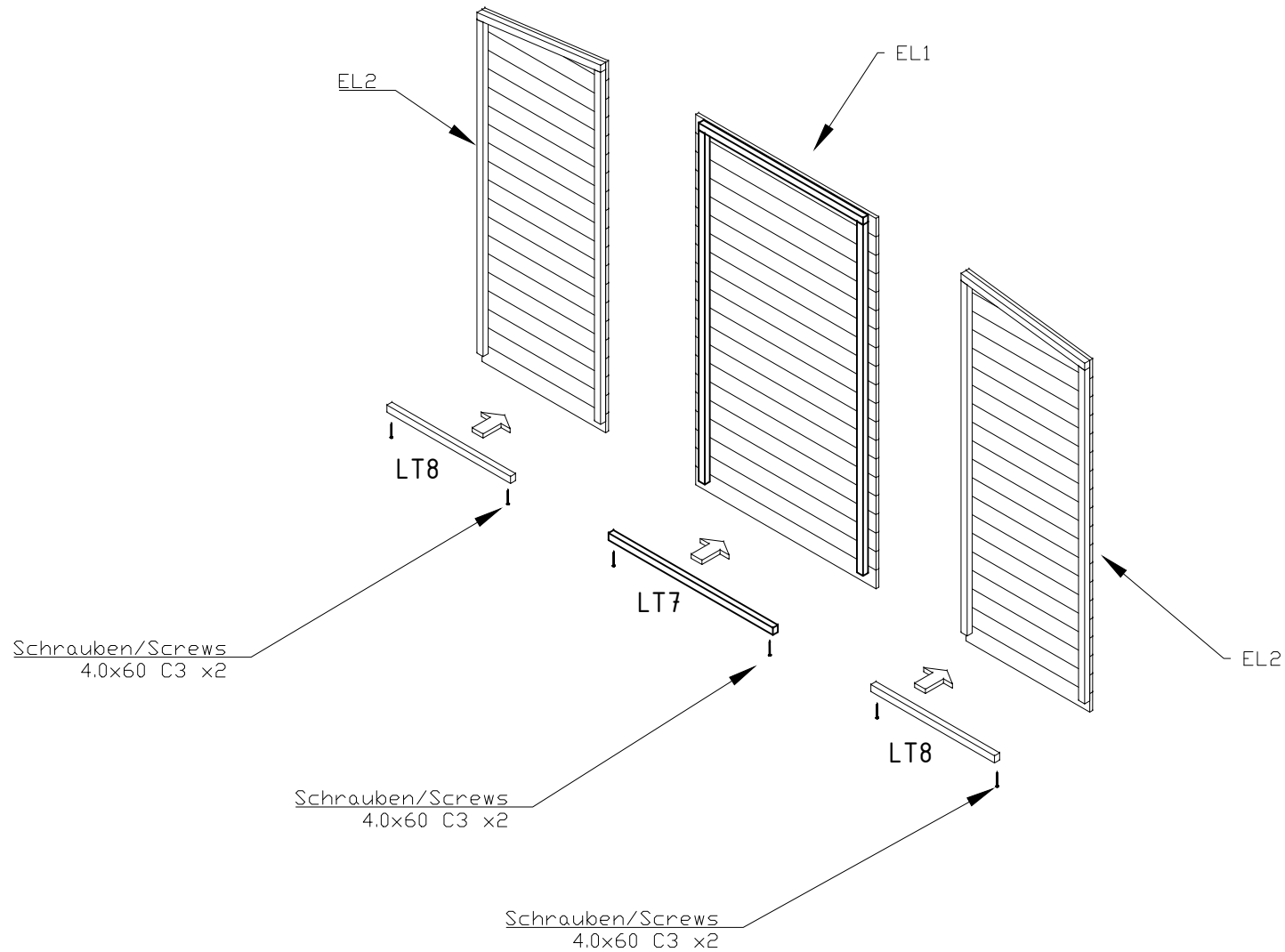
| | | | |
|--|--|--|--|
| | | | |
| | | | |
| | | | |

| Pos | Teieliste/Specification Vaals 720x1000; 16 | | Stck. Pcs. | Profil Profile (mm) | Länge Length (mm) |
|---------|---|--|---------------|---------------------------|-------------------------|
| EL1 |  | | 1 | 1000x1780 | |
| EL2 |  | | 1+1 | 686x1780 | |
| FL1 |  | | 1 | 963x699 | |
| DR1+DR2 |  | | 1+1 | 423x1635 | |
| RF1 |  | | 1 | 1060x800 | |
| SH1 |  | | 2 | 610x500 | |
| | LATTEN - STUDS | | | | |
| LT7 |  | | 1 | 34x28 | 912 |
| | LATTEN - STUDS | | | | |
| LT8 |  | | 2 | 34x28 | 686 |
| | LATTEN (TÜR) - STUDS (DOOR) | | | | |
| LT5 |  | | 1 | 58x28 | 912 |
| | THEKE - COUNTER | | | | |
| TH3 |  | | ✓ | 2 | 58x28 686 |
| | THEKE - COUNTER | | | | |
| TH1 |  | | ✓ | 2 | 58x28 618 |
| | LEISTE - LATH | | | | |
| LE6 |  | | ✓ | 2 | 18x40 1096 |
| Kood | Vaals 720x1000; 16 | | Materjal | | Leht 1/2 |

| Pos | Teieliste/Specification Vaals 720x1000; 16 | | Stck. Pcs. | Profil Profile (mm) | Länge Length (mm) |
|------------|---|---|---------------|---------------------------|-------------------------|
| LE3 |  | LEISTE - LATH ✓ | 2 | 18x40 | 800 |
| LE5 |  | LEISTE - LATH ✓ | 1 | 40x18 | 1000 |
| LE2 |  | LEISTE - LATH ✓ | 1 | 58x18 | 1645 |
| LE4 |  | LEISTE - LATH ✓ | 2 | 45x12 | 836 |
| LE1 |  | LEISTE - LATH ✓ | 2 | 40x18 | 1645 |
| HL2 |  | RIEGEL - LATCH | 1 | 18x18 | 166 |
| HL1 |  | TÜRKNOPF - KNOB | 2 | 18x18 | 80 |
| KP-1 | DACHPAPPE - ROOFING FELT  | ✓ | | 1.15m-1'st | 1.15 lfm/rm |
| SR3 027 | Schrauben - Screws 3.0x25 C3 LE4 |  | 6 | | |
| SR3 027 | Schrauben - Screws 3.0x25 C3 HL1, HL2 |  | 5 | | |
| SR3 032 | Schrauben - Screws 3.0x30 C3 Leiste-Lath LE1, LE2, LE5 |  | 14 | | |
| SR3 032 | Schrauben - Screws 3.0x30 C3 Leiste - Lath LE3, LE6 |  | 10 | | |
| SR3 542 | Schrauben - Screws 3.5x40 C3 TH1, TH3 |  | 14 | | |
| SR3 542 | Schrauben - Screws 3.5x40 C3 Roof element - Dach element |  | 6 | | |
| SR4 032 | Schrauben - Screws 4.0x30 C3 T-Scharnier -T-Hinge 75mm |  | 36 | | |
| SR4 062 | Schrauben - Screws 4.0x60 C3 LT7, LT8 |  | 6 | | |
| SR4 062 | Schrauben - Screws 4.0x60 C3 EL1-EL2 befestigung zu FL1 |  | 6 | | |
| SR4 062 | Schrauben - Screws 4.0x60 C3 Elementen befestigung - El.fixing |  | 8 | | |
| SR4 062 | Schrauben - Screws 4.0x60 C3 LT5 |  | 2 | | |
| H01 | T-Scharnier -T-Hinge 75mm KZN  | | 6 | | |
| | | | | | |
| | | | | | |
| | | | | | |
| | | | | | |
| | ✓ - Bitte selber anpassen (falls nötig)! / Cut into length on site (if needed)! | | | | |
| Kood | Vaals 720x1000; 16 | | Materjal | | Leht 2/2 |

Aufbau Anleitung für/Installation guide for "Vaals 720x1000; 16"

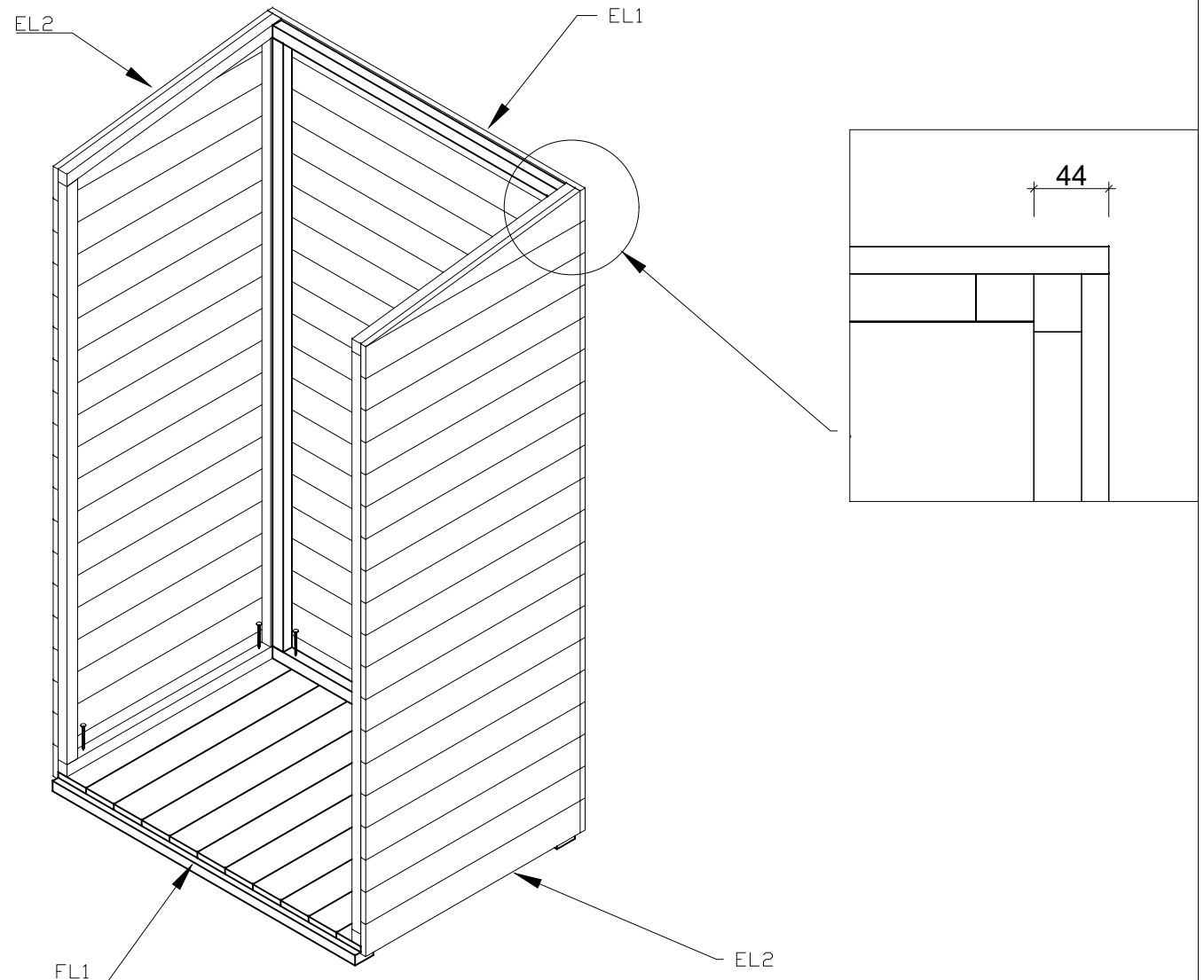
1.1 Montage der Wandelemente / Assembly of wall elements



Aufbau Anleitung für/Installation guide for "Vaals 720x1000; 16"

1.2 Montage der Wandelemente / Assembly of wall elements

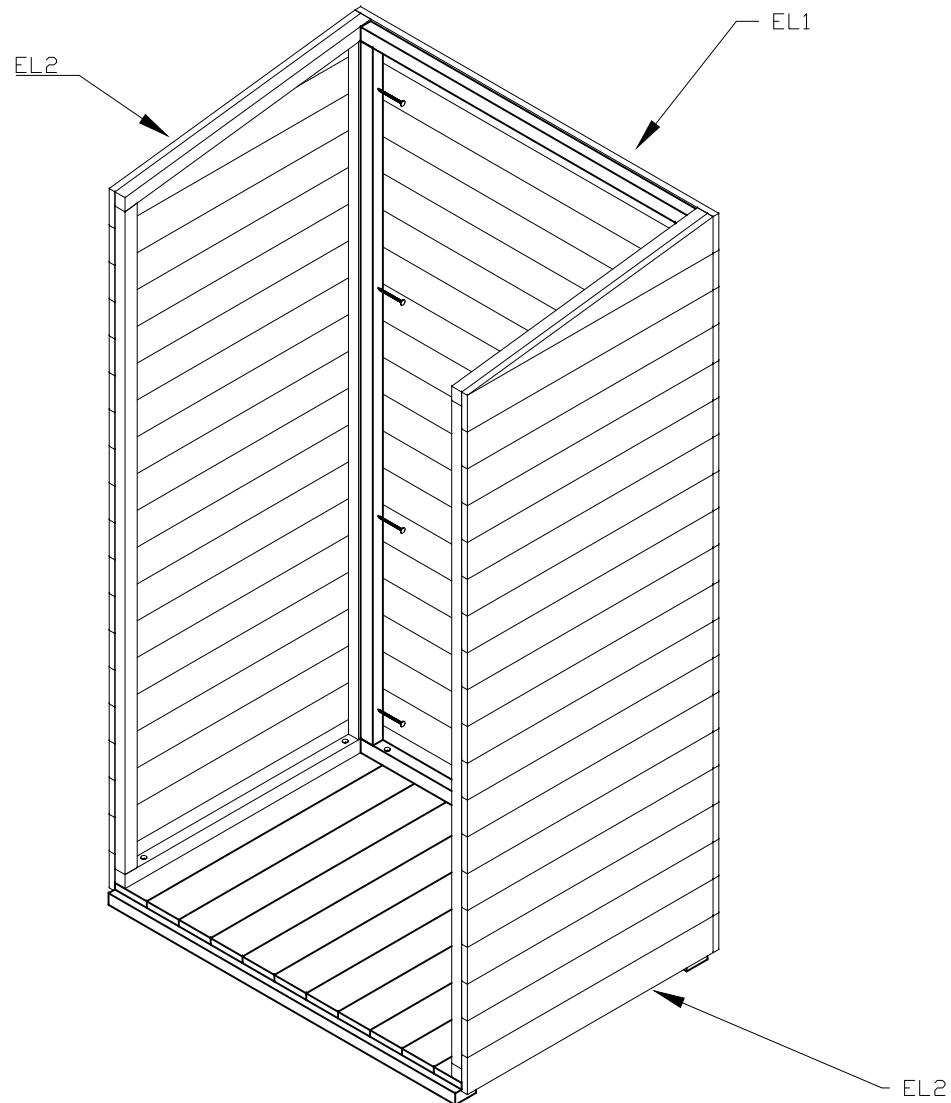
Das Wandelement an den Fundamentholz befestigen, nicht nur an den Fussbodenbrett! / Attach the wall elements to the foundation beams not only to the floorboards!



2 Schrauben 4.0x60 C3 für Element
/ 2 Screws 4.0x60 C3 per element.

Aufbau Anleitung für/Installation guide for "Vaals 720x1000; 16"

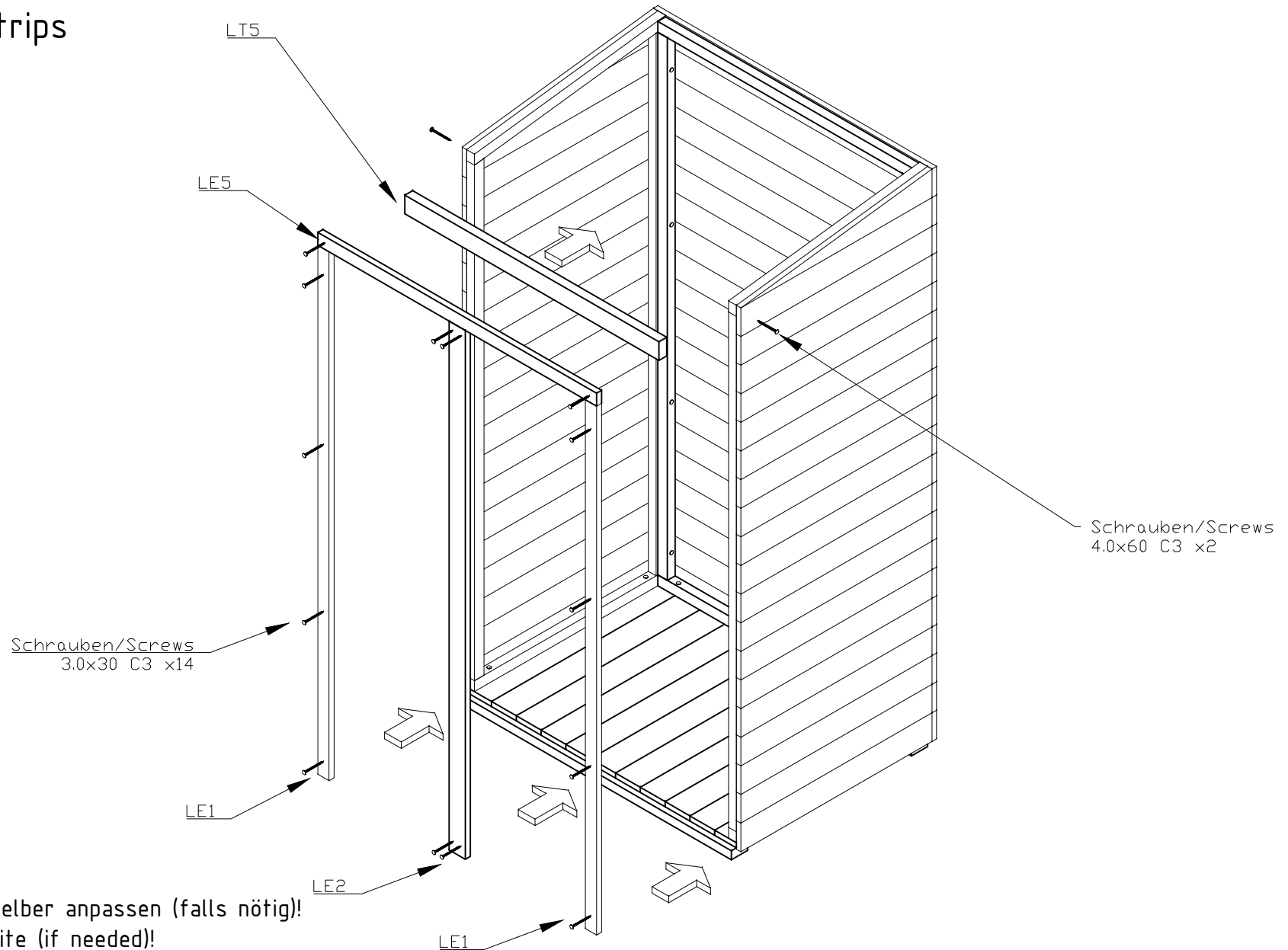
1.3 Montage der Wandelemente / Assembly of wall elements



4 Schrauben 4.0x60 C3 für Element
/ 4 Screws 4.0x60 C3 per element.

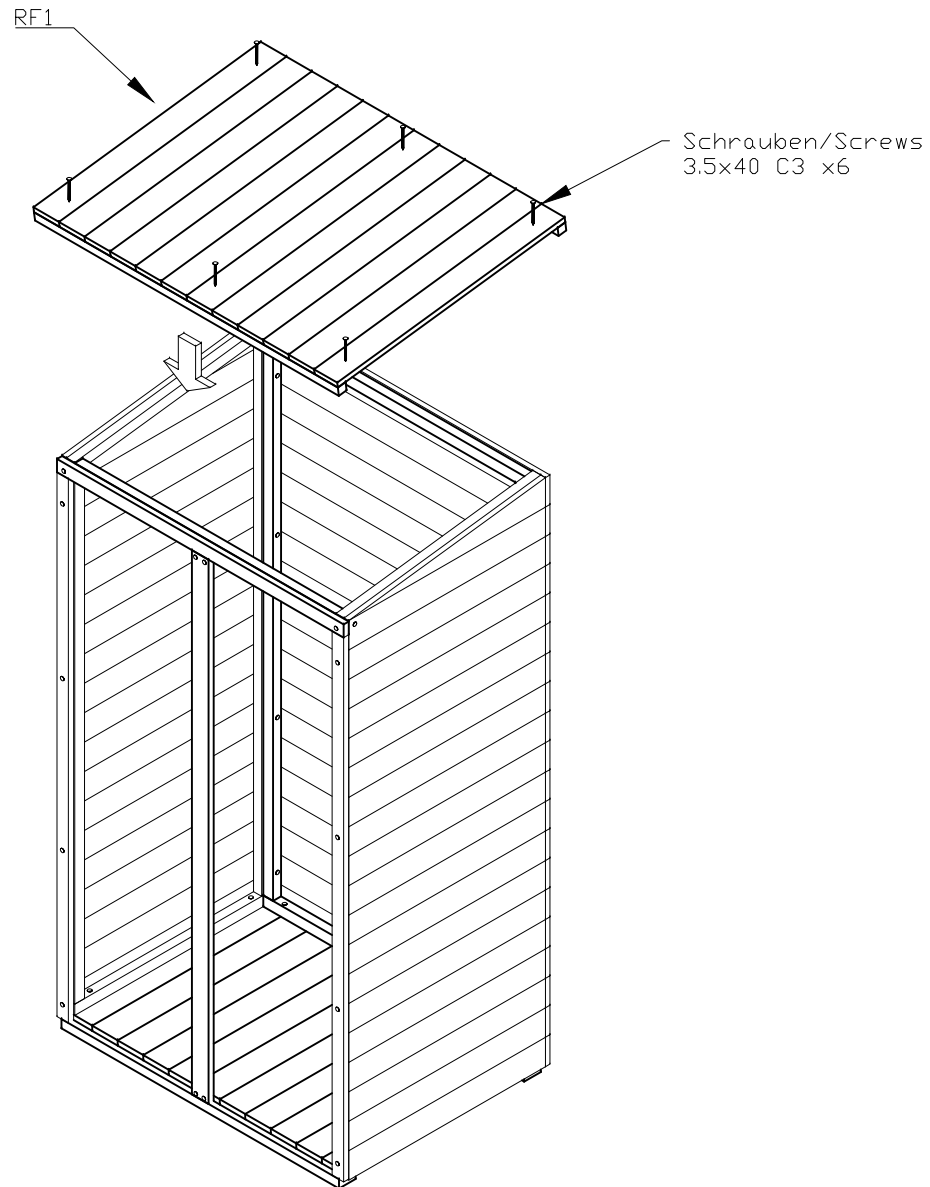
Aufbau Anleitung für/Installation guide for "Vaals 720x1000; 16"

2. Leisten/Strips



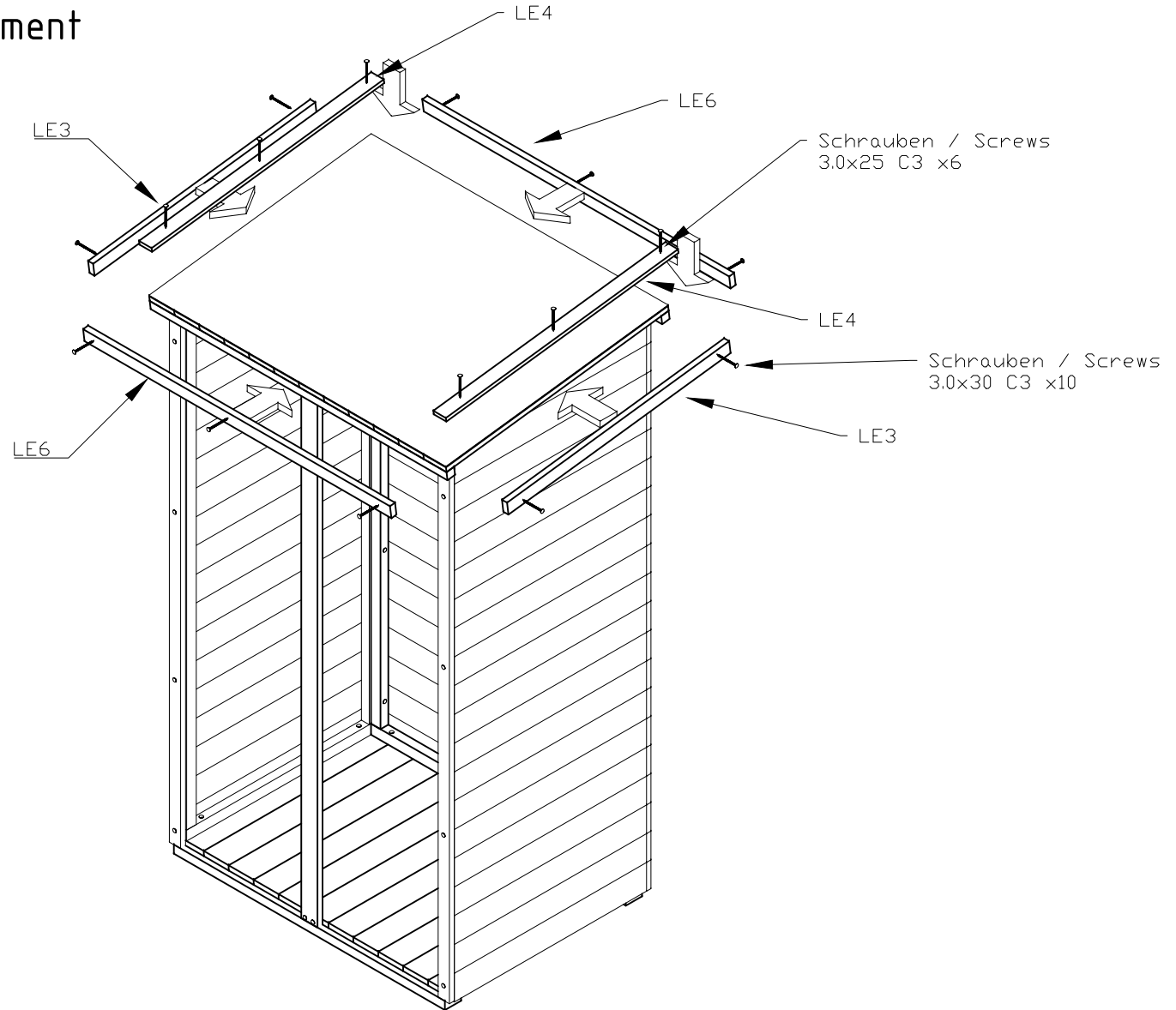
Aufbau Anleitung für/Installation guide for "Vaals 720x1000; 16"

3.1 Dachelement / Roof element

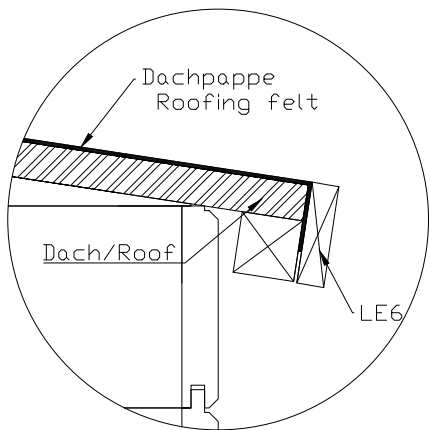


Aufbau Anleitung für/Installation guide for "Vaals 720x1000; 16"

3.2 Dachelement / Roof element

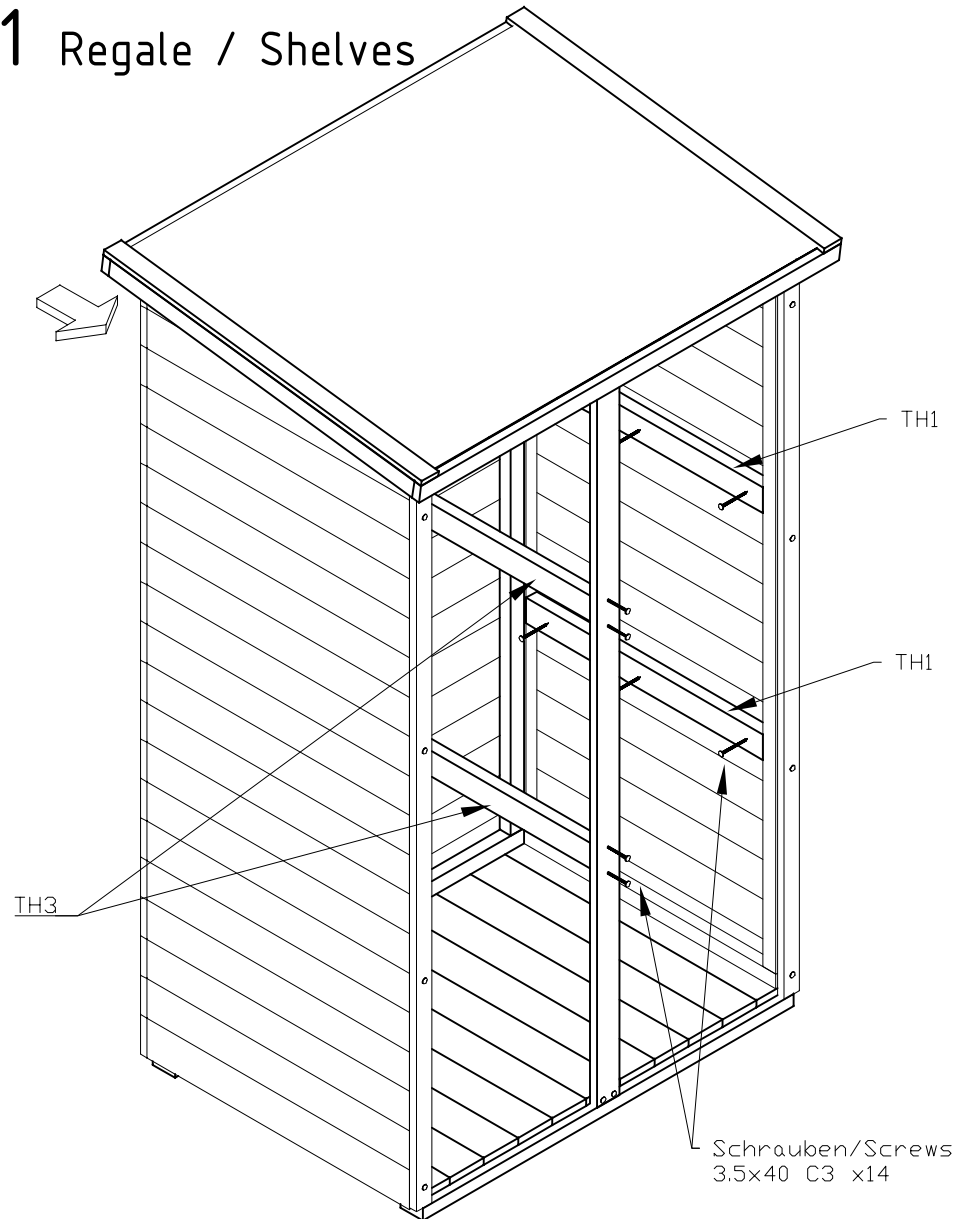


Dachpappe mit Leiste unter die Traufe befestigen/
Attach the roofing felt
under the eaves slats

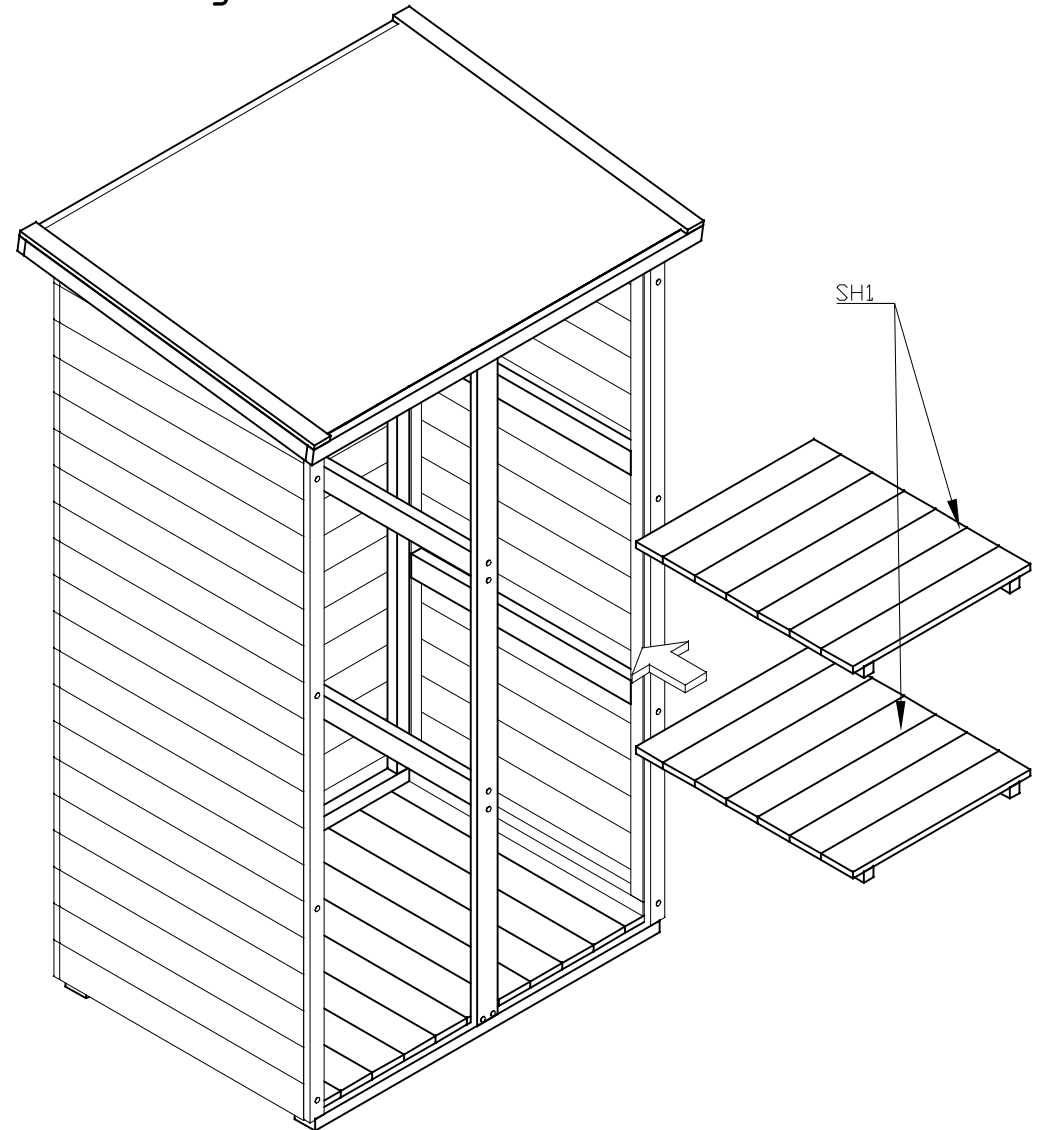


Aufbau Anleitung für/Installation guide for "Vaals 720x1000; 16"

4.1 Regale / Shelves

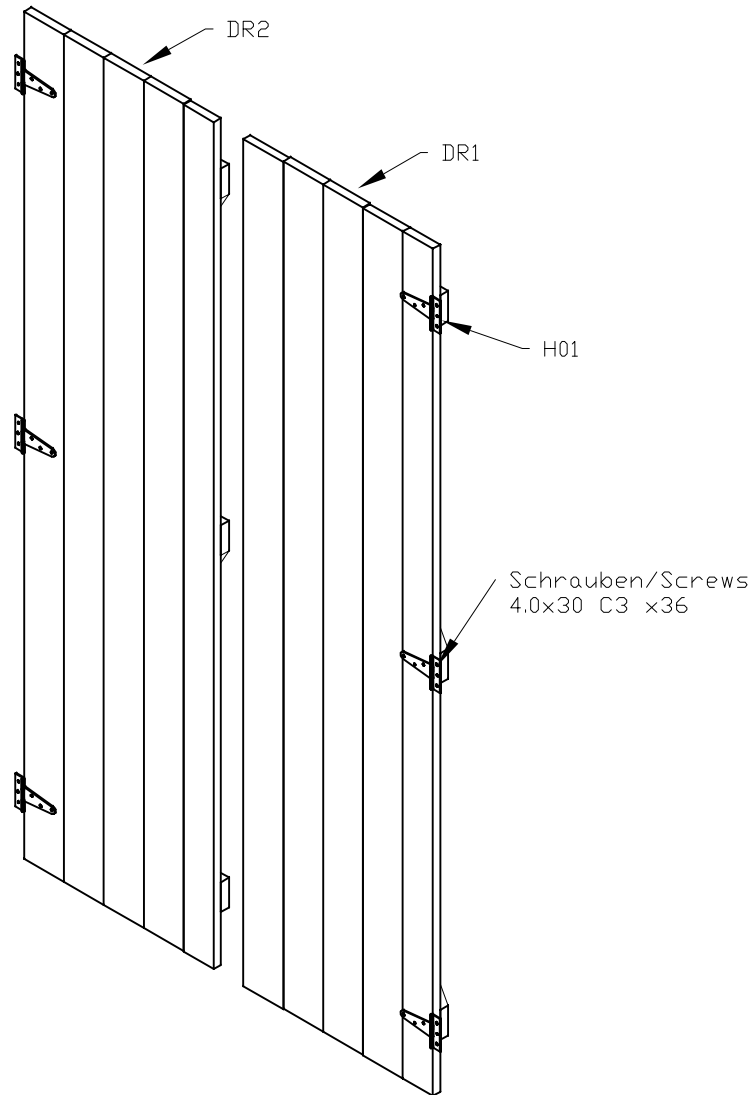


4.2 Regale / Shelves

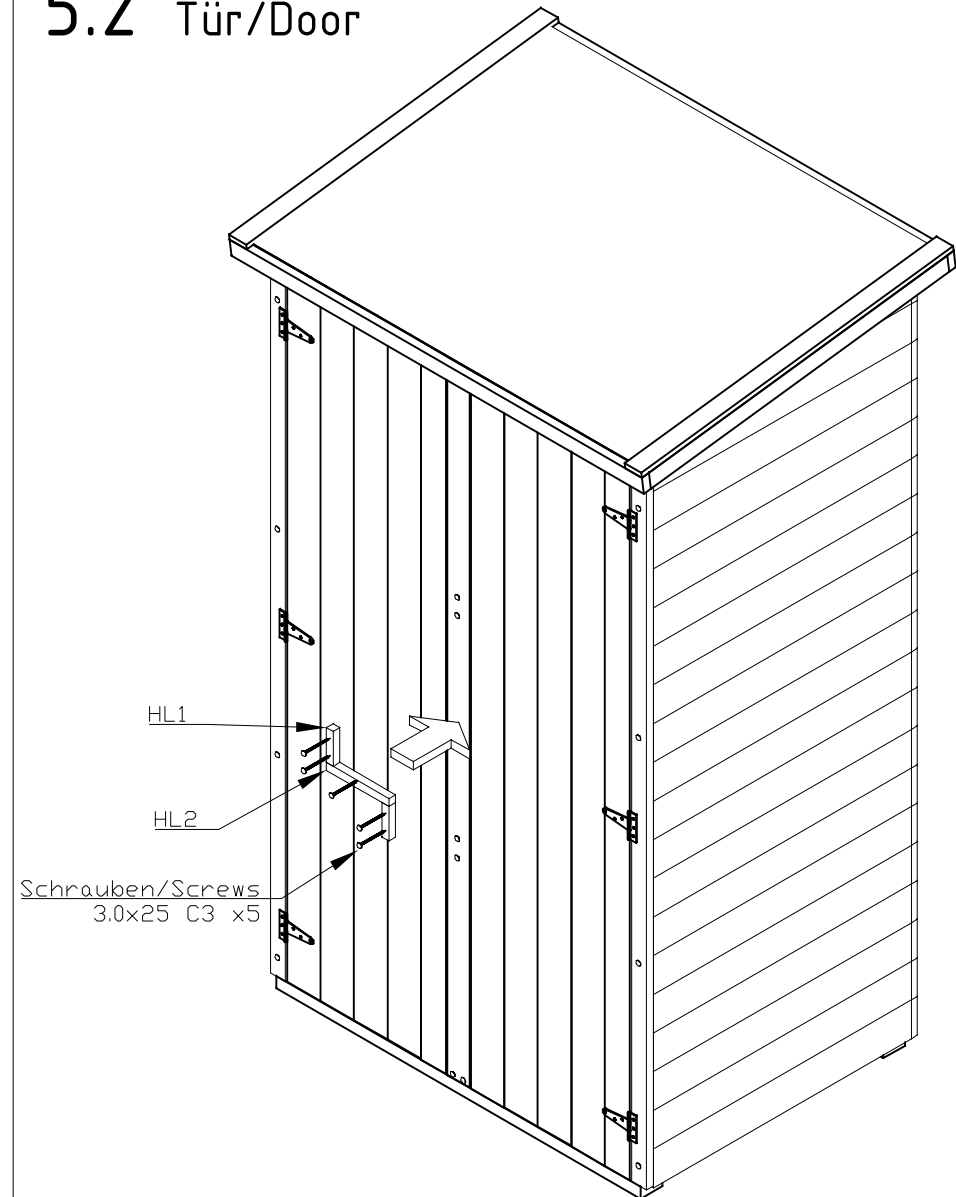


Aufbau Anleitung für/Installation guide for "Vaals 720x1000; 16"

5.1 Tür/Door



5.2 Tür/Door



Aufbau Anleitung für/Installation guide for "Vaals 720x1000; 16"

5.3 Tür/Door

